

Vergrendelingen

met bedieningselementen

SPECIFICATIE

Typen

- Type **SG**: met stergreep
- Type **SK**: met vleugelknop
- Type **ST**: met T-greep
- Type **RG**: met kartelknop GN 7336
- Type **KG**: met vleugelknop
- Type **HG**: met hendel
- Type **LG**: met handgreep (enkel in SW)

Slotbehuizing

Zinkspluitgietwerk

- Pakking van behuizing, verchromd
- Pakking van behuizing, met poedercoating zwart, RAL 9005, textuurafwerking **SW**

Handwielen, handslingers

- Type SG, SK, ST, RG, KG, HG
Kunststof (polyamide PA)
Zwart, matte afwerking
- Type LG
Zinkspluitgietwerk
Kunststof bekleding
zwart, RAL 9005, textuurafwerking

Afdekkap (type RG, KG, HG, LG)

Kunststof (polyamide PA)
lichtgrijs, matte afwerking

Overige onderdelen

Staal, verzinkt, blauw gepassiveerd

Beschermingsklasse IP 65

INFORMATIE

Vergrendelingen GN 115-WOE-ZD worden vergrendeld door middel van een draai beweging die beperkt is tot 90°, waardoor de grendel achter het deurkozijn wordt vergrendeld. De afschuiving van de grendelarm vergemakkelijkt het sluiten van de deur.

Grendelarmen zijn verkrijgbaar met verschillende buighoeken om een grendelarmafstand A van 4 tot 50 mm te overbruggen.

De vergrendelingen GN 115-WOE-ZD worden geleverd met een los bijgevoegde vergrendelingsarm.

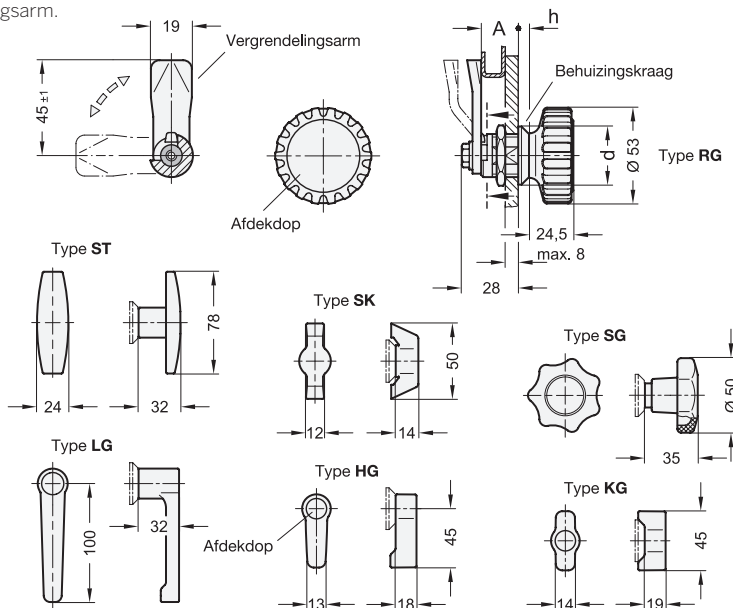


TOEBEHOREN


- Beschermende geleidingsplaten GN 120.2 (zie pagina 1479)
- Interne kastgrepen GN 120.3 (zie pagina)
- Plaatponsen GN 123 (zie pagina 1493)

TECHNISCHE INFORMATIE


- Lijst met vergrendelingen (zie pagina 1456)
- IP-beschermingsklassen (zie pagina A23)
- Kunststofkenmerken (zie pagina A2)



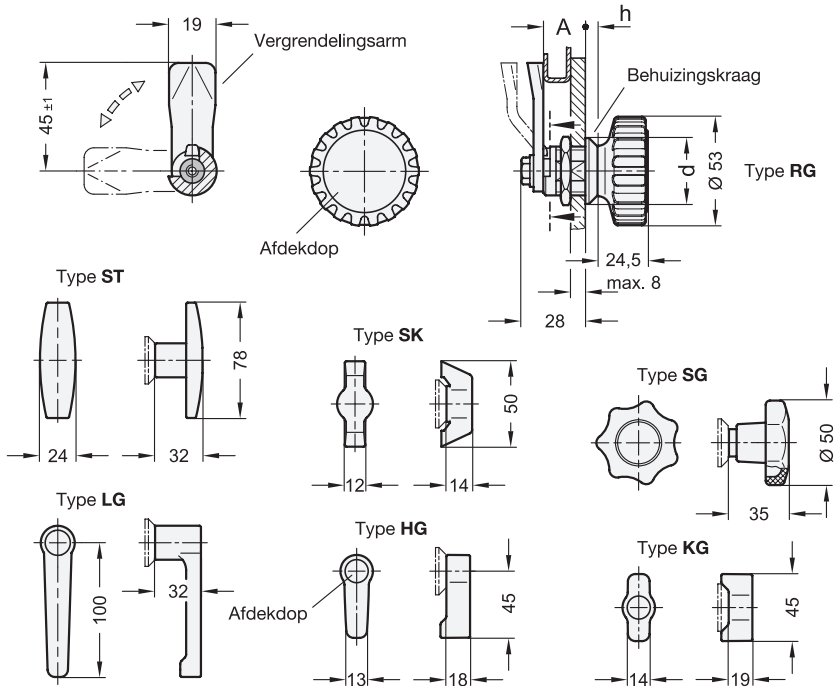
GN 115-WOE-ZD-CP

Beschrijving	A (Afstand tot vergrendelarm)	d	h	
GN 115-SG-4	4	28	4	119
GN 115-SG-8	8	28	4	117
GN 115-SG-13	13	28	4	116
GN 115-SG-16	16	28	4	109
GN 115-SG-20	20	28	4	115
GN 115-SG-24	24	28	4	115
GN 115-SG-28	28	28	4	117
GN 115-SG-32	32	28	4	119
GN 115-SG-36	36	28	4	119
GN 115-SG-40	40	28	4	127
GN 115-SG-45	45	28	4	119
GN 115-SG-6	6	28	4	116
GN 115-SG-10	10	28	4	116
GN 115-SG-14	14	28	4	116
GN 115-SG-18	18	28	4	114
GN 115-SG-22	22	28	4	115
GN 115-SG-26	26	28	4	117
GN 115-SG-30	30	28	4	118
GN 115-SG-34	34	28	4	121
GN 115-SG-38	38	28	4	124
GN 115-SG-42	42	28	4	126
GN 115-SG-50	50	28	4	131
GN 115-SK-4	4	32	6	108
GN 115-SK-8	8	32	6	106
GN 115-SK-13	13	32	6	105
GN 115-SK-16	16	32	6	98
GN 115-SK-20	20	32	6	104
GN 115-SK-24	24	32	6	104
GN 115-SK-28	28	32	6	106
GN 115-SK-32	32	32	6	108
GN 115-SK-36	36	32	6	108
GN 115-SK-40	40	32	6	116
GN 115-SK-45	45	32	6	108
GN 115-SK-6	6	32	6	105
GN 115-SK-10	10	32	6	105
GN 115-SK-14	14	32	6	105
GN 115-SK-18	18	32	6	103
GN 115-SK-22	22	32	6	104
GN 115-SK-26	26	32	6	106
GN 115-SK-30	30	32	6	107
GN 115-SK-34	34	32	6	110
GN 115-SK-38	38	32	6	113
GN 115-SK-42	42	32	6	115
GN 115-SK-50	50	32	6	120
GN 115-ST-4	4	32	6	130
GN 115-ST-8	8	32	6	140
GN 115-ST-13	13	32	6	120
GN 115-ST-16	16	32	6	130
GN 115-ST-20	20	32	6	140
GN 115-ST-24	24	32	6	140
GN 115-ST-28	28	32	6	140
GN 115-ST-32	32	32	6	150
GN 115-ST-36	36	32	6	160
GN 115-ST-40	40	32	6	140
GN 115-ST-45	45	32	6	140
GN 115-ST-6	6	32	6	140
GN 115-ST-10	10	32	6	150
GN 115-ST-14	14	32	6	138
GN 115-ST-18	18	32	6	140
GN 115-ST-22	22	32	6	140
GN 115-ST-26	26	32	6	140
GN 115-ST-30	30	32	6	140
GN 115-ST-34	34	32	6	120
GN 115-ST-38	38	32	6	147
GN 115-ST-42	42	32	6	150
GN 115-ST-50	50	32	6	140

GN 115-WOE-ZD-CP

Beschrijving	A (Afstand tot vergrendelarm)	d	h	
GN 115-RG-4	4	28	4	117
GN 115-RG-8	8	28	4	115
GN 115-RG-13	13	28	4	114
GN 115-RG-16	16	28	4	107
GN 115-RG-20	20	28	4	113
GN 115-RG-24	24	28	4	113
GN 115-RG-28	28	28	4	115
GN 115-RG-32	32	28	4	117
GN 115-RG-36	36	28	4	117
GN 115-RG-40	40	28	4	125
GN 115-RG-45	45	28	4	117
GN 115-RG-6	6	28	4	116
GN 115-RG-10	10	28	4	80
GN 115-RG-14	14	28	4	113
GN 115-RG-18	18	28	4	114
GN 115-RG-22	22	28	4	120
GN 115-RG-26	26	28	4	115
GN 115-RG-30	30	28	4	116
GN 115-RG-34	34	28	4	119
GN 115-RG-38	38	28	4	122
GN 115-RG-42	42	28	4	124
GN 115-RG-50	50	28	4	129
GN 115-KG-4	4	28	4	100
GN 115-KG-8	8	28	4	100
GN 115-KG-13	13	28	4	90
GN 115-KG-16	16	28	4	90
GN 115-KG-20	20	28	4	100
GN 115-KG-24	24	28	4	100
GN 115-KG-28	28	28	4	91
GN 115-KG-32	32	28	4	100
GN 115-KG-36	36	28	4	93
GN 115-KG-40	40	28	4	101
GN 115-KG-45	45	28	4	93
GN 115-KG-6	6	28	4	80
GN 115-KG-10	10	28	4	100
GN 115-KG-14	14	28	4	89
GN 115-KG-18	18	28	4	90
GN 115-KG-22	22	28	4	89
GN 115-KG-26	26	28	4	91
GN 115-KG-30	30	28	4	100
GN 115-KG-34	34	28	4	95
GN 115-KG-38	38	28	4	98
GN 115-KG-42	42	28	4	100
GN 115-KG-50	50	28	4	105
GN 115-HG-4	4	28	4	94
GN 115-HG-8	8	28	4	94
GN 115-HG-13	13	28	4	93
GN 115-HG-16	16	28	4	70
GN 115-HG-20	20	28	4	100
GN 115-HG-24	24	28	4	100
GN 115-HG-28	28	28	4	94
GN 115-HG-32	32	28	4	96
GN 115-HG-36	36	28	4	70
GN 115-HG-40	40	28	4	104
GN 115-HG-45	45	28	4	100
GN 115-HG-6	6	28	4	90
GN 115-HG-10	10	28	4	80
GN 115-HG-14	14	28	4	100
GN 115-HG-18	18	28	4	93
GN 115-HG-22	22	28	4	100
GN 115-HG-26	26	28	4	94
GN 115-HG-30	30	28	4	95
GN 115-HG-34	34	28	4	98
GN 115-HG-38	38	28	4	100
GN 115-HG-42	42	28	4	100
GN 115-HG-50	50	28	4	100



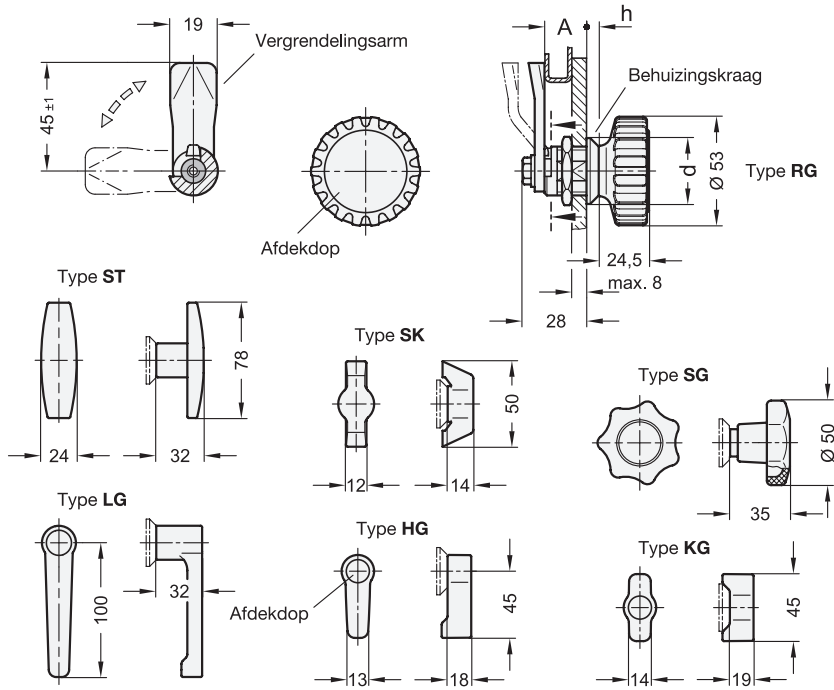


GN 115-WOE-ZD-PC

Beschrijving	A (Afstand tot vergrendelarm)	d	h	
GN 115-SG-4-SW	4	28	4	118
GN 115-SG-8-SW	8	28	4	116
GN 115-SG-13-SW	13	28	4	115
GN 115-SG-16-SW	16	28	4	108
GN 115-SG-20-SW	20	28	4	114
GN 115-SG-24-SW	24	28	4	114
GN 115-SG-28-SW	28	28	4	116
GN 115-SG-32-SW	32	28	4	118
GN 115-SG-36-SW	36	28	4	118
GN 115-SG-40-SW	40	28	4	126
GN 115-SG-45-SW	45	28	4	118
GN 115-SG-6-SW	6	28	4	115
GN 115-SG-10-SW	10	28	4	115
GN 115-SG-14-SW	14	28	4	115
GN 115-SG-18-SW	18	28	4	113
GN 115-SG-22-SW	22	28	4	114
GN 115-SG-26-SW	26	28	4	116
GN 115-SG-30-SW	30	28	4	117
GN 115-SG-34-SW	34	28	4	120
GN 115-SG-38-SW	38	28	4	123
GN 115-SG-42-SW	42	28	4	125
GN 115-SG-50-SW	50	28	4	130
GN 115-SK-4-SW	4	32	6	100
GN 115-SK-8-SW	8	32	6	98
GN 115-SK-13-SW	13	32	6	97
GN 115-SK-16-SW	16	32	6	90
GN 115-SK-20-SW	20	32	6	96
GN 115-SK-24-SW	24	32	6	96
GN 115-SK-28-SW	28	32	6	98
GN 115-SK-32-SW	32	32	6	100
GN 115-SK-36-SW	36	32	6	100
GN 115-SK-40-SW	40	32	6	108
GN 115-SK-45-SW	45	32	6	100
GN 115-SK-6-SW	6	32	6	97
GN 115-SK-10-SW	10	32	6	97
GN 115-SK-14-SW	14	32	6	97
GN 115-SK-18-SW	18	32	6	95
GN 115-SK-22-SW	22	32	6	96
GN 115-SK-26-SW	26	32	6	98

GN 115-WOE-ZD-PC

Beschrijving	A (Afstand tot vergrendelarm)	d	h	
GN 115-SK-30-SW	30	32	6	99
GN 115-SK-34-SW	34	32	6	102
GN 115-SK-38-SW	38	32	6	105
GN 115-SK-42-SW	42	32	6	107
GN 115-SK-50-SW	50	32	6	112
GN 115-ST-4-SW	4	32	6	40
GN 115-ST-8-SW	8	32	6	140
GN 115-ST-13-SW	13	32	6	120
GN 115-ST-16-SW	16	32	6	130
GN 115-ST-20-SW	20	32	6	140
GN 115-ST-24-SW	24	32	6	140
GN 115-ST-28-SW	28	32	6	140
GN 115-ST-32-SW	32	32	6	150
GN 115-ST-36-SW	36	32	6	145
GN 115-ST-40-SW	40	32	6	160
GN 115-ST-45-SW	45	32	6	140
GN 115-ST-6-SW	6	32	6	140
GN 115-ST-10-SW	10	32	6	140
GN 115-ST-14-SW	14	32	6	130
GN 115-ST-18-SW	18	32	6	140
GN 115-ST-22-SW	22	32	6	140
GN 115-ST-26-SW	26	32	6	140
GN 115-ST-30-SW	30	32	6	120
GN 115-ST-34-SW	34	32	6	120
GN 115-ST-38-SW	38	32	6	120
GN 115-ST-42-SW	42	32	6	37
GN 115-ST-50-SW	50	32	6	150
GN 115-RG-4-SW	4	28	4	116
GN 115-RG-8-SW	8	28	4	114
GN 115-RG-13-SW	13	28	4	113
GN 115-RG-16-SW	16	28	4	130
GN 115-RG-20-SW	20	28	4	112
GN 115-RG-24-SW	24	28	4	112
GN 115-RG-28-SW	28	28	4	114
GN 115-RG-32-SW	32	28	4	116
GN 115-RG-36-SW	36	28	4	116
GN 115-RG-40-SW	40	28	4	124
GN 115-RG-45-SW	45	28	4	116



GN 115-WOE-ZD-PC

Beschrijving	A (Afstand tot vergrendelarm)	d	h	⚖
GN 115-RG-6-SW	6	28	4	115
GN 115-RG-10-SW	10	28	4	113
GN 115-RG-14-SW	14	28	4	112
GN 115-RG-18-SW	18	28	4	113
GN 115-RG-22-SW	22	28	4	112
GN 115-RG-26-SW	26	28	4	114
GN 115-RG-30-SW	30	28	4	120
GN 115-RG-34-SW	34	28	4	118
GN 115-RG-38-SW	38	28	4	121
GN 115-RG-42-SW	42	28	4	123
GN 115-RG-50-SW	50	28	4	128
GN 115-KG-4-SW	4	28	4	60
GN 115-KG-8-SW	8	28	4	91
GN 115-KG-13-SW	13	28	4	90
GN 115-KG-16-SW	16	28	4	83
GN 115-KG-20-SW	20	28	4	80
GN 115-KG-24-SW	24	28	4	89
GN 115-KG-28-SW	28	28	4	100
GN 115-KG-32-SW	32	28	4	80
GN 115-KG-36-SW	36	28	4	93
GN 115-KG-40-SW	40	28	4	101
GN 115-KG-45-SW	45	28	4	93
GN 115-KG-6-SW	6	28	4	92
GN 115-KG-10-SW	10	28	4	90
GN 115-KG-14-SW	14	28	4	89
GN 115-KG-18-SW	18	28	4	90
GN 115-KG-22-SW	22	28	4	89
GN 115-KG-26-SW	26	28	4	90
GN 115-KG-30-SW	30	28	4	92
GN 115-KG-34-SW	34	28	4	95
GN 115-KG-38-SW	38	28	4	98
GN 115-KG-42-SW	42	28	4	100
GN 115-KG-50-SW	50	28	4	105
GN 115-HG-4-SW	4	28	4	95
GN 115-HG-8-SW	8	28	4	93
GN 115-HG-13-SW	13	28	4	92
GN 115-HG-16-SW	16	28	4	85
GN 115-HG-20-SW	20	28	4	91
GN 115-HG-24-SW	24	28	4	91

GN 115-WOE-ZD-PC

Beschrijving	A (Afstand tot vergrendelarm)	d	h	⚖
GN 115-HG-28-SW	28	28	4	93
GN 115-HG-32-SW	32	28	4	95
GN 115-HG-36-SW	36	28	4	95
GN 115-HG-40-SW	40	28	4	103
GN 115-HG-45-SW	45	28	4	95
GN 115-HG-6-SW	6	28	4	94
GN 115-HG-10-SW	10	28	4	40
GN 115-HG-14-SW	14	28	4	91
GN 115-HG-18-SW	18	28	4	92
GN 115-HG-22-SW	22	28	4	100
GN 115-HG-26-SW	26	28	4	93
GN 115-HG-30-SW	30	28	4	94
GN 115-HG-34-SW	34	28	4	100
GN 115-HG-38-SW	38	28	4	100
GN 115-HG-42-SW	42	28	4	120
GN 115-HG-50-SW	50	28	4	107
GN 115-LG-4-SW	4	32	6	230
GN 115-LG-8-SW	8	32	6	220
GN 115-LG-13-SW	13	32	6	210
GN 115-LG-16-SW	16	32	6	210
GN 115-LG-20-SW	20	32	6	180
GN 115-LG-24-SW	24	32	6	188
GN 115-LG-28-SW	28	32	6	200
GN 115-LG-32-SW	32	32	6	200
GN 115-LG-36-SW	36	32	6	220
GN 115-LG-40-SW	40	32	6	150
GN 115-LG-45-SW	45	32	6	200
GN 115-LG-6-SW	6	32	6	200
GN 115-LG-10-SW	10	32	6	200
GN 115-LG-14-SW	14	32	6	220
GN 115-LG-18-SW	18	32	6	210
GN 115-LG-22-SW	22	32	6	200
GN 115-LG-26-SW	26	32	6	200
GN 115-LG-30-SW	30	32	6	200
GN 115-LG-34-SW	34	32	6	200
GN 115-LG-38-SW	38	32	6	225
GN 115-LG-42-SW	42	32	6	230
GN 115-LG-50-SW	50	32	6	200

